



5700 Step-Top Wood-Burning Stove

Using renewable energy sources is more important than ever and wood is 100 percent renewable. When you burn wood, you are also completing the last step of the natural carbon cycle of trees, resulting in a zero net carbon impact on the environment.

## 5700ST



## 4300ST



## Door Upgrade



Arched door in black or satin nickel (includes matching hinge pins and air control handle)



for 4300 Step-Top stove only

## Base Options

Three options in two finishes (legs only) make the step-top stoves a good fit for any room style.



Queen Anne legs in black or satin nickel (includes ash pan)



Traditional legs in black (ash pan not available)



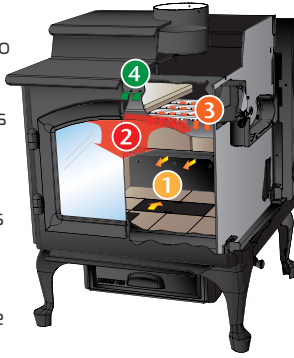
Pedestal Base (includes ash pan)

Peak BTU/hr Input <sup>1</sup>	72,100	61,700
Heating Capacity <sup>2</sup>	1,400 - 3,700 sq ft	1,100 - 3,000 sq ft
Maximum Burn Time <sup>3</sup>	15 hours	12 hours
Efficiency <sup>4</sup>	80% (LHV) / 74% (HHV)	80% (LHV) / 74% (HHV)
Emissions	1.8 g/h	1.6 g/h
Firebox	3.0 cu ft	2.3 cu ft
Recommended Log Length	22"	18"
Viewing Area	187 sq in	165 sq in
Actual Weight	434 lbs	315 lbs

**EXCLUSIVE TECHNOLOGIES** like the patented Four-Point Burn System and Automatic Combustion Control, make it possible to burn wood more effectively, efficiently, and with more control.

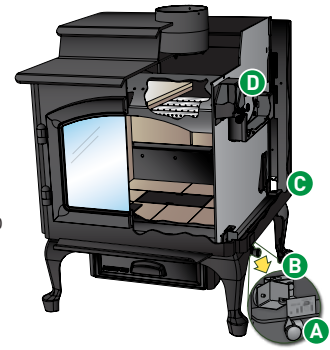
### Four-Point Burn System

1. PRECISION START-UP Airflow quickly routes to the heart of the fire.
2. SECONDARY BURN ZONE Air movement helps create rolling flames and keeps the glass clean.
3. TERTIARY BURN ZONE Superheated air ignites flammable gases rising from the wood.
4. QUATERNARY BURN ZONE Remaining impurities are burned above the baffle before exiting up the chimney.



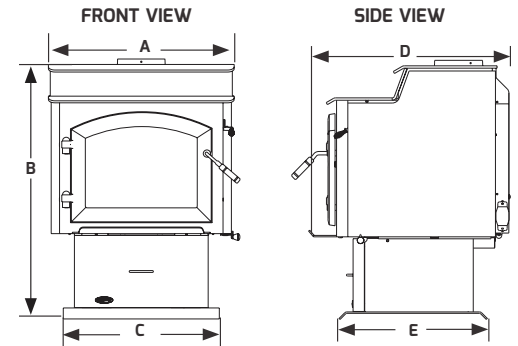
### Automatic Combustion Control

- A. ACTIVATION CONTROL KNOB Push back and pull forward to activate startup airflow.
- B. ACC AIR INLET Controls startup airflow to build the fire.
- C. ACC TIMER Opens ACC air inlet during startup for approximately 20 minutes.
- D. BURN RATE CONTROL Controls the airflow feeding the fire and also controls your comfort.



### SPECIFICATIONS

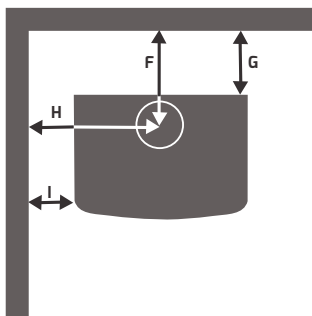
	A	B	C	D	E
<b>5700ST</b> w/pedestal	27" (686mm)	37-1/4" (946mm)	26-1/4" (667mm)	32-5/8" (829mm)	26-1/4" (667mm)
w/Queen Anne Legs	27" (686mm)	33-7/8" (860mm)	26" (660mm)	32-5/8" (829mm)	27-1/2" (699mm)
w/Traditional Legs	27" (686mm)	33-7/8" (860mm)	24-1/2" (622mm)	32-5/8" (829mm)	26" (660mm)
<b>4300ST</b> w/pedestal	26" (660mm)	34-1/4" (870mm)	21" (533mm)	28-5/8" (727mm)	19-3/4" (502mm)
w/Queen Anne Legs	26" (660mm)	32-7/8" (835mm)	25" (635mm)	28-5/8" (727mm)	23-1/4" (591mm)
w/Traditional Legs	26" (660mm)	32-7/8" (835mm)	23-3/8" (594mm)	28-5/8" (727mm)	21-5/8" (549mm)



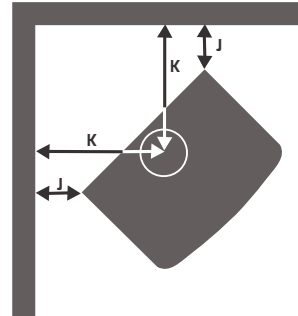
### CLEARANCES

		F	G	H	I	J	K	L	Minimum Floor Protection
<b>5700ST</b>	Single Wall Pipe	15-3/4" (400mm)	9" (229mm)	25-1/2" (648mm)	12" (305mm)	4" (102mm)	16-7/8" (429mm)	49" (1245mm)	33-5/8" x 44-7/8" (854mm x 1140mm)
	Double Wall Pipe	13-3/4" (349mm)	7" (178mm)	25-1/2" (648mm)	12" (305mm)	1" (25mm)	13-7/8" (352mm)	49" (1245mm)	
<b>4300ST</b>	Single Wall Pipe	18-1/2" (470mm)	11-3/4" (298mm)	27-1/2" (699mm)	14-1/2" (368mm)	2-1/2" (64mm)	15" (381mm)	49-1/2" (1257mm)	31-5/8" x 41" (803mm x 1041mm)
	Double Wall Pipe	10-1/2" (267mm)	3-3/4" (95mm)	25" (635mm)	12" (305mm)	2-1/2" (64mm)	15" (381mm)	49-1/2" (1257mm)	

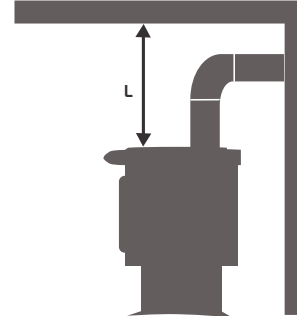
#### BACK WALL/SIDE WALL



#### CORNER INSTALLATION



#### STOVE TO CEILING INSTALLATION



#### Stove Pipe to Ceiling Clearance

Follow pipe manufacturer's clearances as required

Scan to learn more about our wood stoves



For full warranty details, visit [www.forgenflame.com](http://www.forgenflame.com). All Quadra-Fire wood-burning stoves are certified to EPA standards.

1: BTU: 1st hour output uses high burn efficiency number. BTU will vary depending on the type of fuel used and moisture content of the fuel. 2: Heating capacity (in square feet) is a guideline only and may differ due to climate, building construction and condition, amount and quality of insulation, location of the heater, and air movement in the room. 3: Actual burn times will vary based on how the appliance is operated, load size, moisture content and type of wood used, chimney height and installation. 4: Weighted average LHV (Low Heating Value) efficiency. HHV (High Heat Value) efficiency used to qualify products for Tax Credit beginning in 2023.

**IMPORTANT - READ BEFORE YOU INSTALL!** Refer to the Owner/Installation Manual for complete clearance requirements and specifications. The images and descriptions in this brochure are provided to assist you in product selection only.

Quadra-Fire is a registered trademark of Hearth & Home Technologies. Product specifications and pricing subject to change without notice.

[FORGENFLAME.COM](http://FORGENFLAME.COM)

